

INTRODUCING KUBO

Premium quality matt black anodised aluminium frame which can contain a variety of accessories including;

- Shelving
- Inset shelf
- Open box
- Closed box
- Planter
- Locker
- Cupboard
- Bridging unit
- 'L' shaped insert
- Planter liner
- Plant/Umbrella stand
- Double height locker
- Bookcase
- Seat pad
- Breakout desking
- Media wall
- Wheeled units

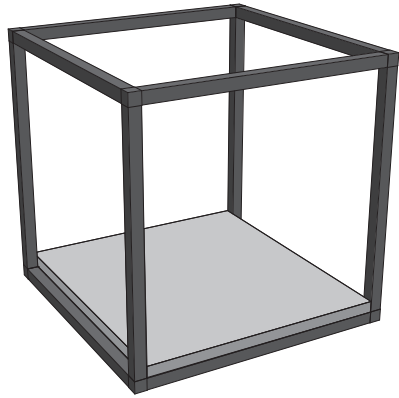


ENDLESS

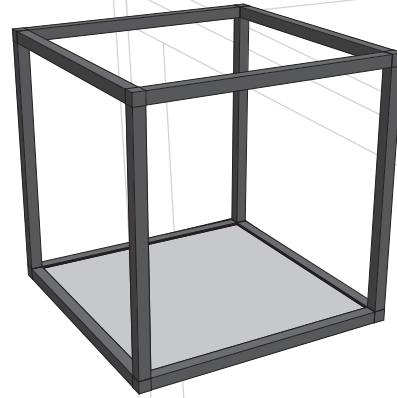
THE POSSIBILITIES ARE

SELECTION OF BASE KUBO UNITS

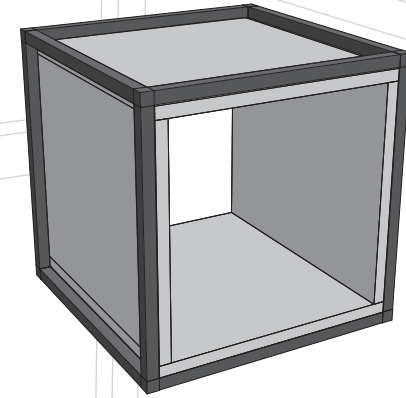
Available in a variety of classic or contemporary MFC finishes - please enquire.



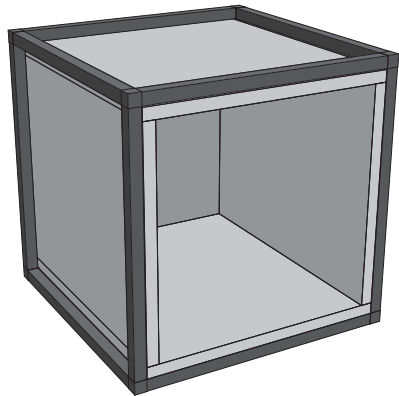
Shelving unit



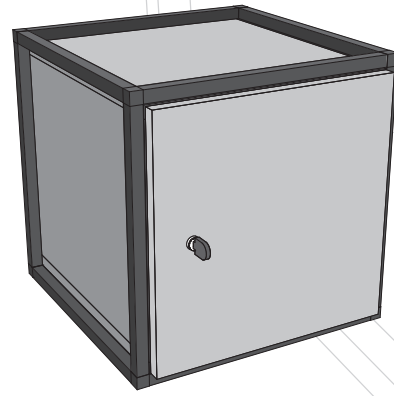
Inset shelving unit (anthracite or white)



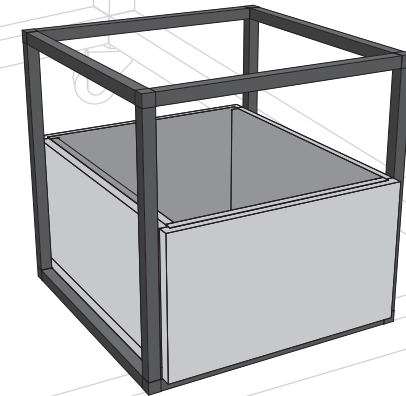
Open box



Closed box



Locker



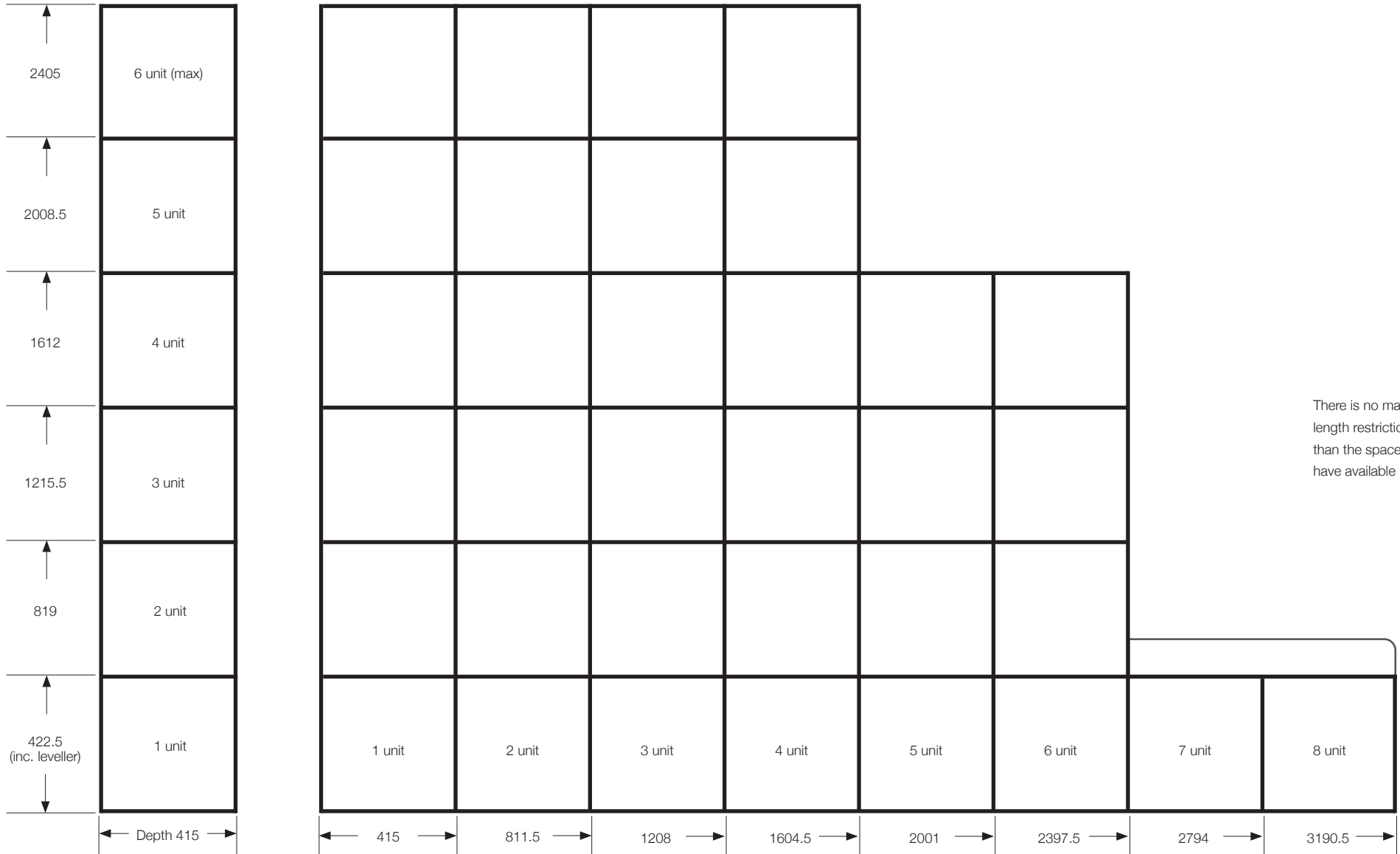
Planter

All available in double width and height.

Our units can accommodate optional lockable castors for ease of movement.

Kubo

KUBO EXTERIOR DIMENSIONS (MM)



There is no maximum length restriction other than the space you have available



ADDITIONAL UNITS & ENDLESS POSSIBILITIES



Double height cupboard / locker



Planter with castors

THE POSSIBILITIES ARE
ENDLESS



sales@panelplan.co.uk